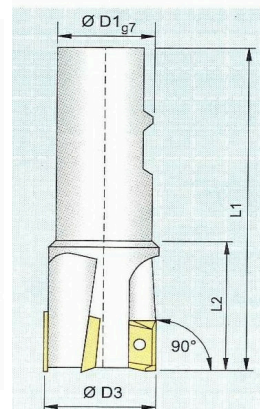
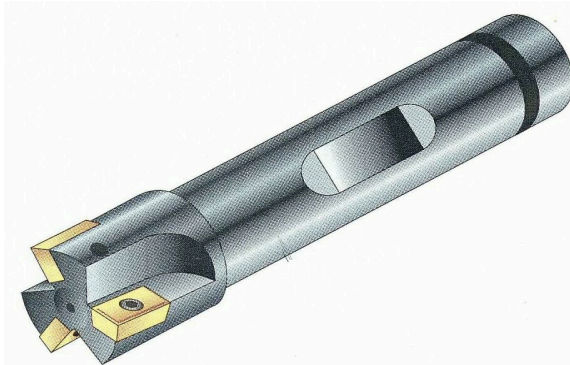


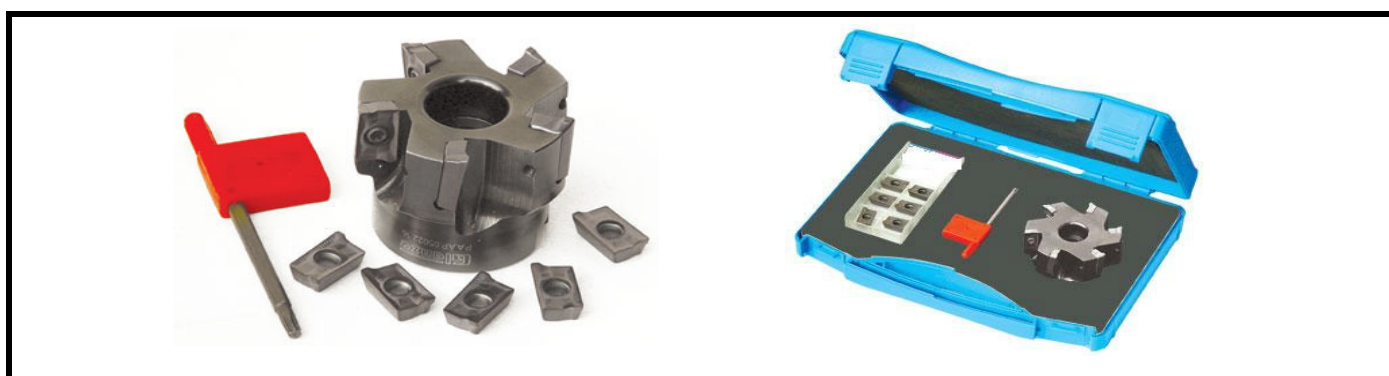
FRAISES A PLAQUETTES CARBURE FREZEN MET WISSELBARE VHM PLAATJES



CODE	D3	L2	L1	L2	Z	PLAQ PLAATJES	€
BAAP101010	10	10	75	32	1	APKT1003	42,00
BAAP121210	12	12	75	40	1	APKT1003	42,00
BAAP141210	14	12	75	40	1	APKT1003	54,00
BAAP161610	16	16	75	40	2	APKT1003	66,00
BAAP161616	16	16	90	32	1	APKT1604	69,00
BAAP202010	20	20	100	50	2	APKT1003	81,00
BAAP202016	20	20	100	32	1	APKT1604	81,00
BAAP252010	25	20	100	50	3	APKT1003	87,00
BAAP252016	25	20	100	50	3	APKT1604	87,00
BAAP322510	32	25	100	50	4	APKT1003	111,00
BAAP323216	32	32	110	50	4	APKT1604	111,00
BAAP403216	40	32	125	60	4	APKT1604	150,00

APKT1003	6,30
APKT1604	9,15

**COFFRET 1 FRAISE A SURFACER ET DRESSER 90° + PLAQUETTES APKT1604 + 1 CLEF
SET 1 HOEK EN VLAKFREES 90° + VHM PLAATJES APKT1604 + 1 SLEUTEL**

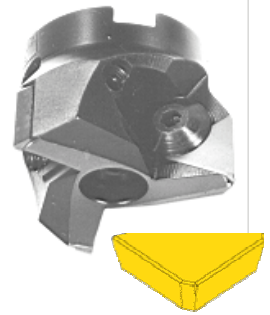
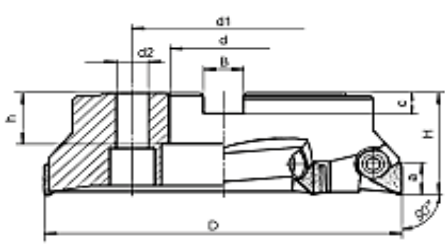


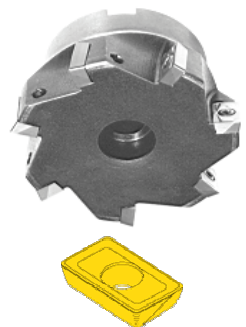
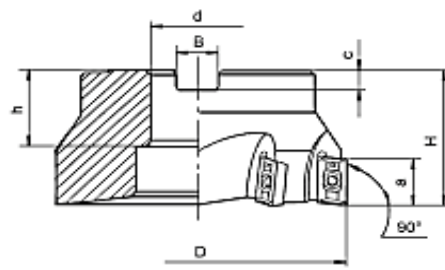
CODE	D	alésage boring	H	Z	PLAQ PLAATJES	€
------	---	-------------------	---	---	------------------	---

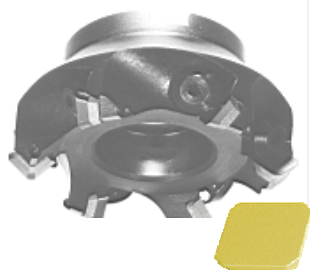
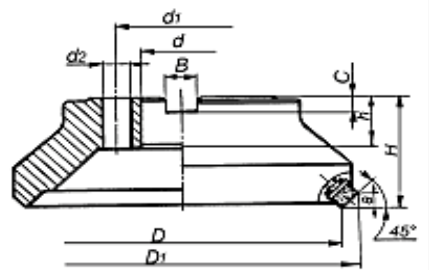
POSET220699040	40	16	40	4	APKT1604	199,00
----------------	----	----	----	---	----------	--------

POSET220699050	50	22	40	5	APKT1604	225,00
----------------	----	----	----	---	----------	--------

POSET220699063	63	22	40	6	APKT1604	270,00
----------------	----	----	----	---	----------	--------

FRAISES A SURFACER & DRESSER HOEK & VLAKFREZEN							TPKN1603	
							TPKN2204	
							90°	
REF	D	d	H	h	a	z	€	
220.17-040	40	16	40	20	16,5	3	94,55	
220.17-050	50	22	40	20	16,5	3	100,55	
220.17-063-16	63	22	40	20	16,5	3	110,05	
220.17-063-22	63	22	47	20	22	3	208,60	
220.17-080	80	27	50	22	22	4	256,80	
220.17-100	100	32	50	32	22	5	267,50	
220.17-125	125	40	63	35	22	6	339,70	
220.17-160	160	40	63	29	22	7	392,40	
220.17-200	200	60	63	40	22	8	519,10	

FRAISES A SURFACER & DRESSER HOEK & VLAKFREZEN							APKT1604	
							APKT2204	
							90°	
REF	D	d	H	h	a	z	€	
220.699-040	40	16	40	20	16	4	150,40	
220.699-050	50	22	40	20	16	5	169,50	
220.699-063	63	22	40	20	16	6	200,60	
220.699-080	80	27	50	22	16	7	231,70	
220.699-100	100	32	50	32	16	8	265,80	

FRAISES A SURFACER VLAKFREZEN							SEKN1203	
							90°	
							45°	
REF	D	d	H	h	a	z	€	
220.130-063	63	22	40	20	6	5	228,80	
220.130-080	80	27	50	22	6	6	267,90	
223.130-100	100	32	50	25	6	6	297,90	
223.130-125	125	40	63	28	6	7	377,50	
223.130-160	160	40	63	32	6	7	446,90	
223.130-200	200	60	63	32	6	8	539,50	